

HARO

Installation instructions for

HARO

lamininate floors

With Lock Connect plus

Phone: +49 8031 700-0

Fax: +49 8031 700-299

Email: info@haro.com

Web: www.haro.com

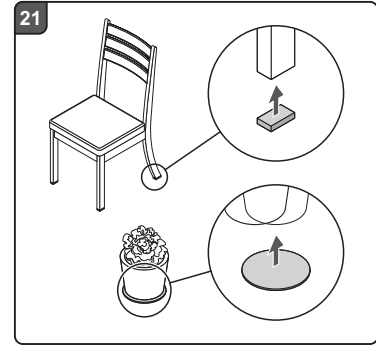
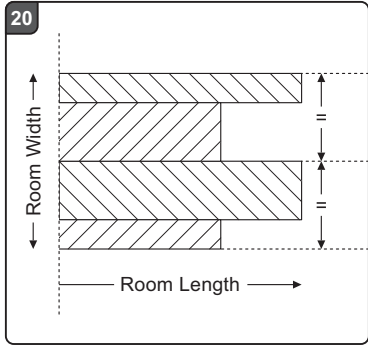
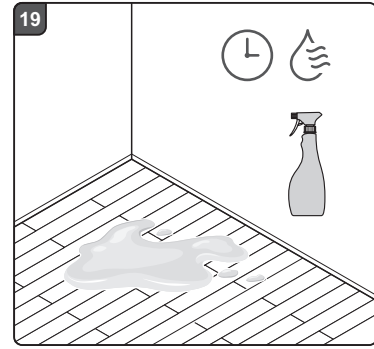
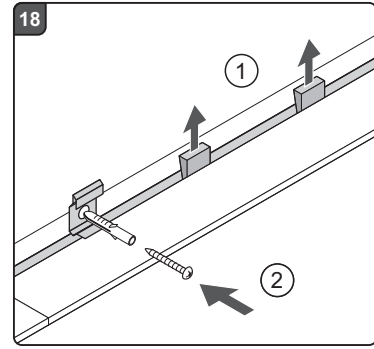
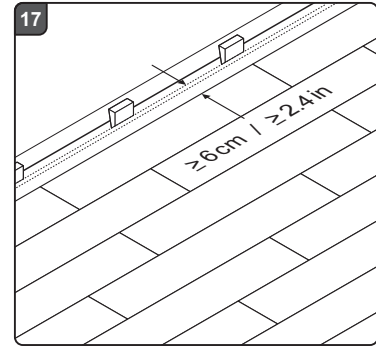
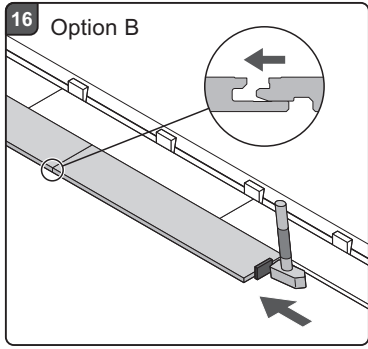
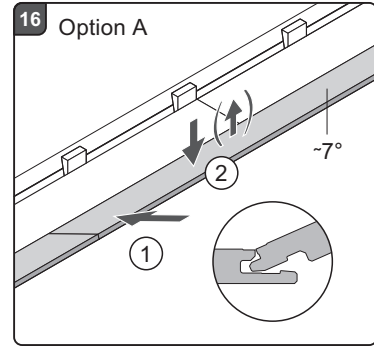
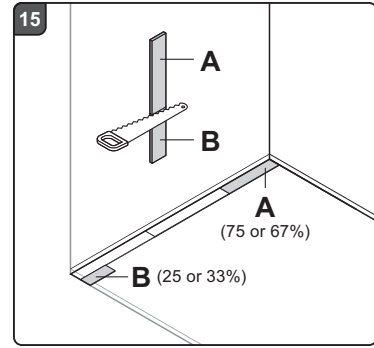
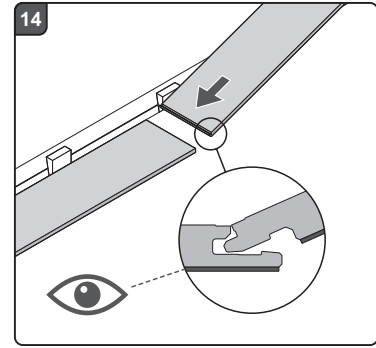
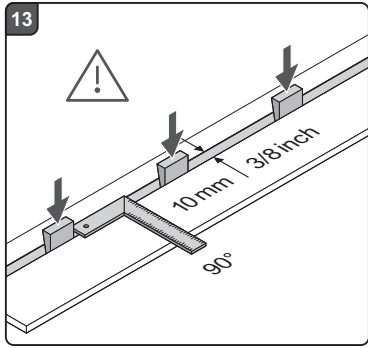
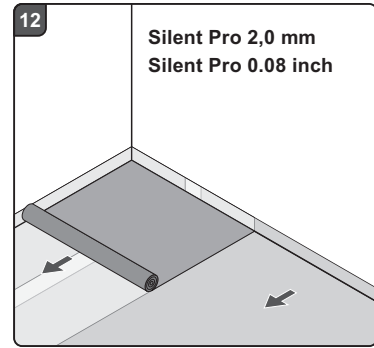
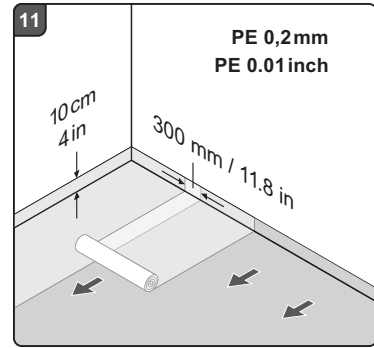
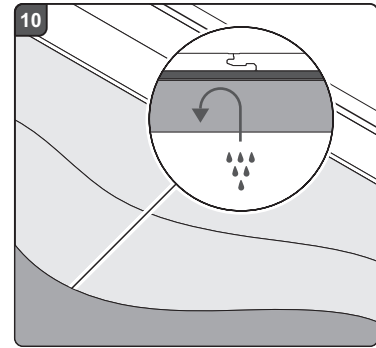
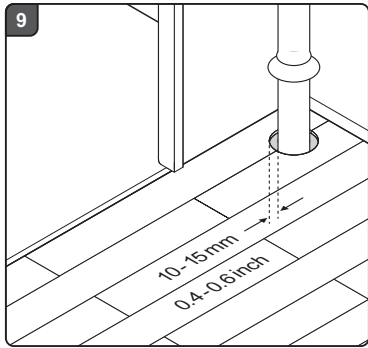
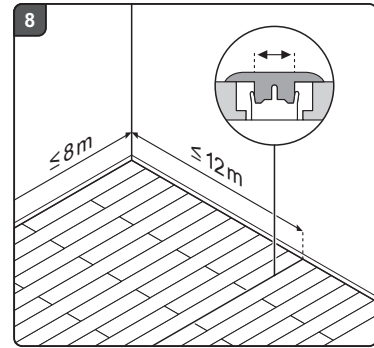
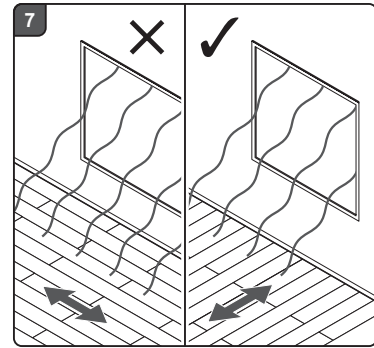
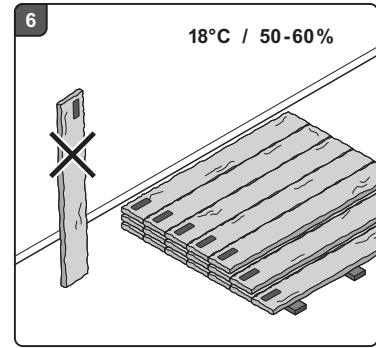
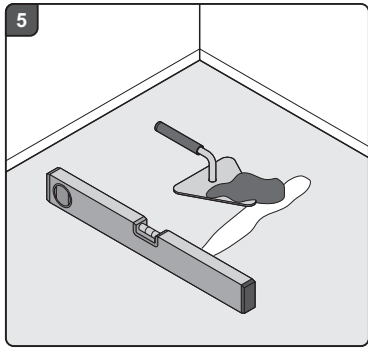
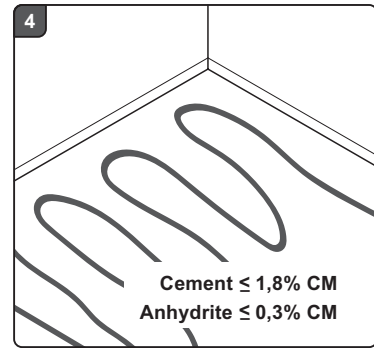
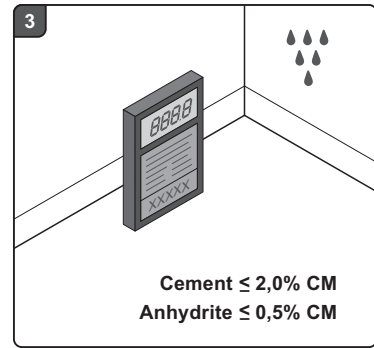
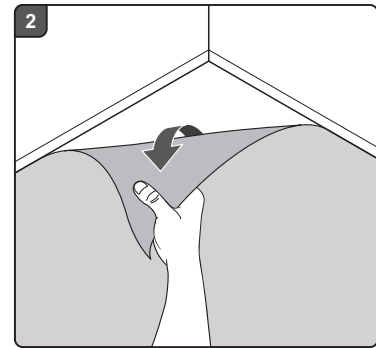
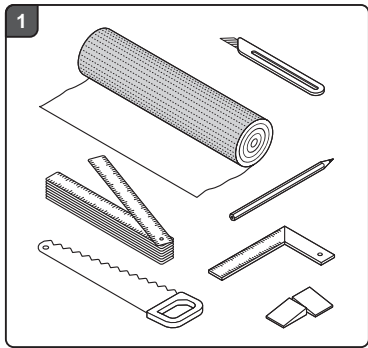
Hamberger Flooring GmbH & Co. KG

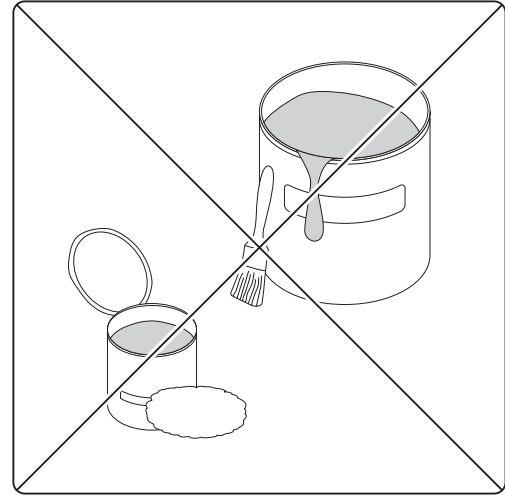
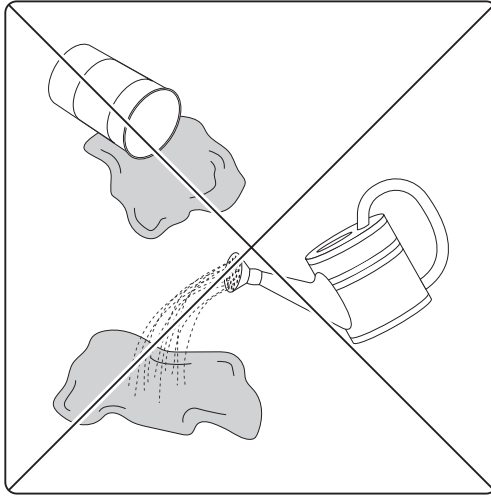
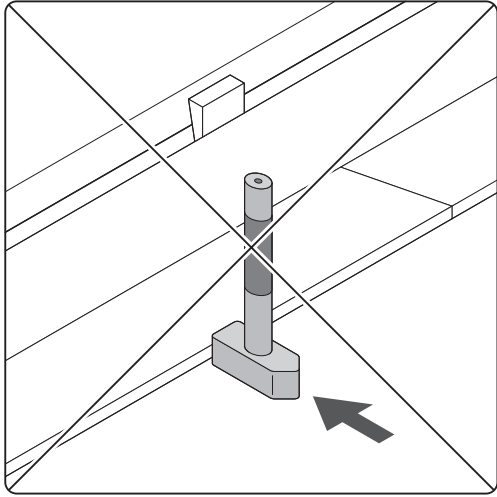
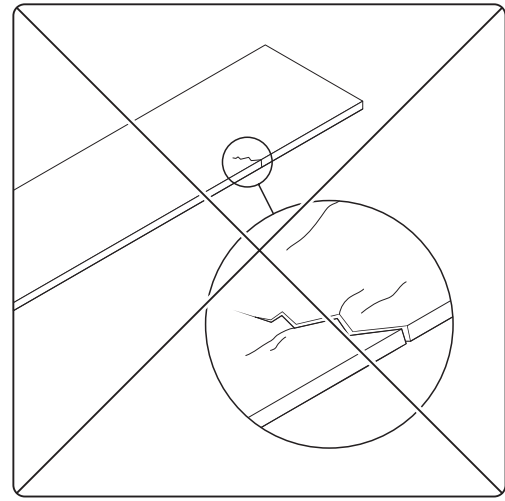
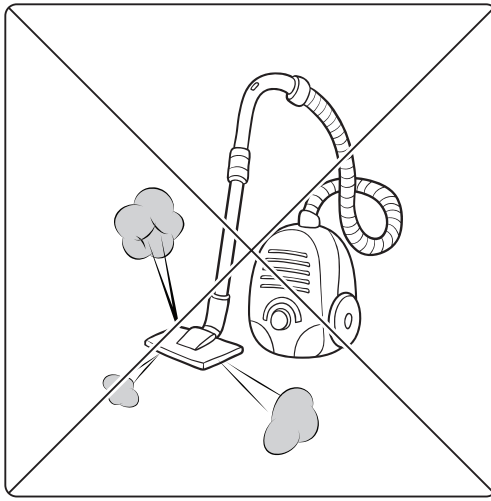
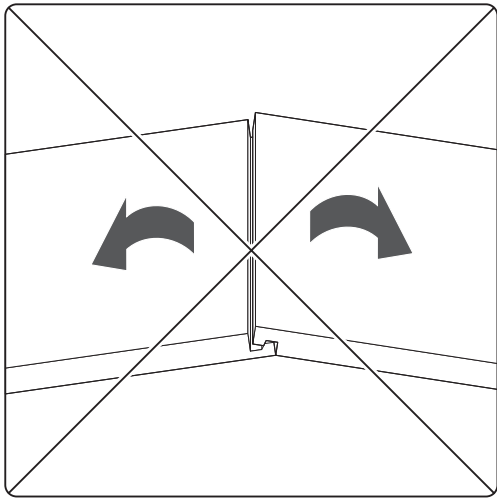
Postfach 10 03 53

83003 Rosenheim

Germany

Naturally beautiful flooring





	VAT ESB98649890
	EN 14041:2004/AC:2006 NB 1981
Bodenbelag für den trockenen Innenbereich / Revêtement de sol pour les intérieurs secs Laminatboden / Sol stratifié EN 13329:2017	

	VAT ESB98649890
	BS EN 14041:2004/AC:2006 NB 1981
Floor covering for internal use under dry conditions Laminate flooring EN 13329:2017	

Brandverhalten / Reaction to fire / Réaction au feu	B _{fl} -s1
Gehalt an gefährlichen Stoffen / Content of dangerous substances / Contenu de substances dangereuses	PCP ≤ 5 ppm
Emission von Formaldehyd / Emission of formaldehyde / Émission de formaldéhyde	E1
Emission von VOC / Emission of VOC / Émission de VOC	NPD
Wasserdichtigkeit / Water resistance / Étanchéité à l'eau	NPD
Gleitwiderstand / Slip resistance / Résistance au glissement	μ ≥ 0,30
Elektrisches Verhalten / Electrical behavior / Comportement électrique	Antistatisch / Antistatic / Antistatic
Dicke / Thickness / Épaisseur	8 mm
Wärmeleitfähigkeit / Thermal conductivity / Conductivité thermique	0,11 W/(m·K)
Dauerhaftigkeit in Bezug auf das Brandverhalten / Durability as regards reaction to fire / Durabilité liée à la réaction au	NPD

General information

Please read these installation instructions carefully from beginning to end before installing the floor!

Measures to take before installation

Do not open the cartons prior to installation. During winter months, the elements to be installed should be kept in unopened original packaging in order to become acclimated to the installation temperature of about 18°C (65°F).

Important: Prior to installation, inspect the boards in daylight for any visible faults or damage and also check colour and texture. No claims are accepted once floorboards have been installed. Elastic and textile floor coverings must be completely removed leaving no remains.

Installation direction

The direction of laying normally depends on the main source of light fall in the room, e.g. French windows. The boards should run parallel with the entering light for best appearance. However, the proportions of the room can also be emphasised by skilled selection of the direction in which your parquet is laid. Light-coloured wood makes small rooms appear larger. In doorways and large areas over 10m (33 ft.) in length and/or width an expansion joint must be allowed for long and wide. Apply an expansion moulding when installing the floor in rooms that are 10 m long or wide.

- Ensure that the boards are always laid lengthways in narrow hallways.
- When installing T, L or U-shaped areas, separate the flooring areas according to the room layout by using a suitable profile system.

Please keep the limited expansion behaviour in mind if heavy objects including kitchen appliances, wood-burning stoves, aquariums or water beds will be placed on a floor that has been floatingly installed. A separation of the floor sections should be considered.

Preparing the subfloor

The subfloor must be level, dry and solid; the respective DINs must be complied with. Cement screed, mastic asphalt, V100 particle boards, old floor coverings, such as ceramic or low-pile glued down carpets are suitable.

Moisture check

The subfloor must be checked for moisture by using a CM measuring instrument, for instance.

Moisture content limit

Cement screed max. 2.0 CM %, with underfloor heating 1.8 CM % CM; anhydride screed max. 0.5 CM %, with underfloor heating 0.3 CM %. Always use a 0.2 mm PE film as an underlayment for additional moisture protection for new screeds after a curing time of at least 6 to 8 weeks and over underfloor heating. Overlap seams with 30 cm (12") and tape. When laying your floor in rooms on or below grade, it is necessary that a state-of-the-art or DIN-compliant moisture barrier be installed.

Installation over underfloor heating

To allow installation over underfloor heating, the subfloor must be laid in accordance with DIN 18 353. Before you start with the installation, please verify that the underfloor heating system has been installed in compliance with DIN EN 1264 Part 1- 4 and that the proper preparatory heat-up phase has been completed once the parties involved have been coordinated. Detailed instructions on the installation over underfloor heating can be obtained from your HARO dealer. Compliance with indoor climate conditions must in particular be ensured with underfloor heating.

Care

Dry cleaning: It is generally sufficient to clean Laminate flooring dry using a mop, soft broom or vacuum cleaner. Heel streaks or grease stains can be removed with acetone.

Damp cleaning: We recommend damp mopping your surface regularly with clean & green active diluted in water. Cleaning frequency depends here on the wear and tear your floor is subjected to.

Please note: Do not use soap-based detergents, abrasive cleaners, scouring powder, steel wool, wax or polish for cleaning and maintenance. Always avoid letting water stand on the laminate floor surface. Steam cleaning machines are not suitable for cleaning laminate flooring.

Indoor climate conditions

To maintain the quality and beauty of your floor, but also for your own personal well-being, an indoor climate of approx. 30% to 60% relative air humidity is ideal with a room temperature of approx. 20°C. In order to keep the air humidity constant, especially during hot periods, we recommend you use a humidifier. This will prevent any extreme drying out of the floor. Air humidifiers should be switched on right from the beginning of the heating season. If air humidity falls below normal values, small gaps may appear, which generally close again after the hot period.

Additional preventive protection

How to preserve the quality and beauty of your floor: We recommend using Teflon furniture glides (PTFE) under chairs and furniture legs and doormats in entrances. Chair castors and office roller chairs must comply with the German standard DIN 12529. Use only lined rollers of type W (soft). As underlay for armchairs and office chairs we recommend the use of polycarbonate mats.

05/23

Subject to modification in the interest of technical development.